

# STICKSHOT

Personal Self Defense Device

## Congratulations on your purchase of a StickShot personal self defense device.

Your StickShot has been made from quality materials and should provide years of reliable use if it is cared for properly.

The StickShot is not a “firearm” under Federal law. Certain States and municipalities may regulate possession and use of the StickShot and it’s compressed N2 gas or irritant powder. Always check applicable laws and regulations before transporting and using your StickShot.

### Warnings:

Misuse of the StickShot may cause serious injury or death and/or subject the user to criminal or civil liability. Stickshot shall not be liable for personal injury, loss of property, or loss of life from the use of this weapon under any circumstances, including and intentional, reckless, negligent, or accidental discharges.

Seek legal advice or ask your local police department if you are unsure of the application of any law or regulation.

If the steel glass breaker is used to break glass in an emergency, be careful to wear protective gloves as glass can cause serious injuries. The glass breaker can be easily removed with a phillips screwdriver. A 3/16” Allen key can be put into the opening to more easily screw in the rear cap

**By using this device, the user assumes all liability from its use. Safety is your responsibility!**

## Safety Considerations

- Make sure you fully understand the instructions before use.
- The StickShot is not a toy and should never be left without the safety on or within the reach of children.
- Never aim or shoot at the head, face, eyes, ears, throat, or spine.
- Never look down the barrel of the launcher.
- Never point the StickShot at anything you do not intend to shoot.
- Never point the StickShot at any person or animal except in self-defense.
- Do not disassemble this device or attempt to reload while a live gas cartridge is loaded
- Protective eyewear should be worn if possible by the operator and persons in or near the target area.
- StickShot contains irritant powder containing (CapsaicinII/PAVA). This agent causes skin, eye, and respiratory irritation. Handle with care!
- StickShot projects a large plume of irritant powder a long distance (~60 feet) from the device. This can contaminate a large area if used in protected or indoor areas
- Strong wind affects the powder dispersion, and may cause contamination of the user if care is not used during and after discharge.
- StickShot’s operational temperature range is 0F-150F, or -17C-65C.
- This device may contain chemicals known to the state of California to cause cancer and birth defects, or other reproductive harm.

## Getting Started

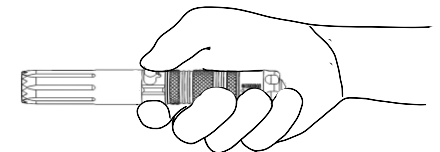
Reloading and firing Instructions can be found on the reverse side of this manual

Your StickShot comes with a BLUE inert barrel attached. This is the correct barrel to use for training. If this is the first time you are using a StickShot, it is highly recommended to fire the blue test barrel in a practice shot. If not, please follow the reload instructions to attach the BLACK live barrel.

Using the inert barrel, you can see how the powder plume works to provide protection and help you understand the limitations.

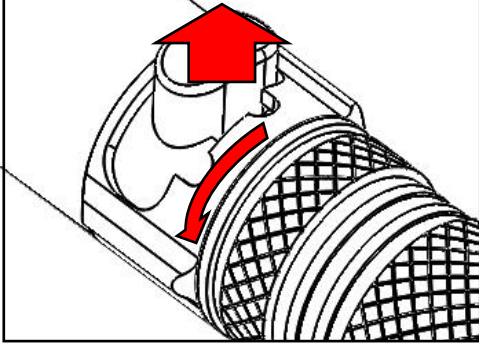
### Notes:

- 1) Be sure to hold onto the body tightly to prevent the StickShot from recoiling toward yourself.
- 2) An extra safety is supplied with each replacement barrel, as recovering a safety once removed may be difficult
- 3) **The best way to aim is to position the StickShot so it is parallel with your firing arm by bending your wrist downward with your arm extended.**
- 4) Visit [www.pavashotinc.com](http://www.pavashotinc.com) for up to date instructions and information

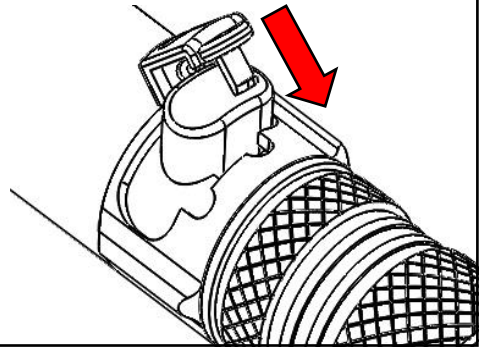


## Reload Step 1: Safety

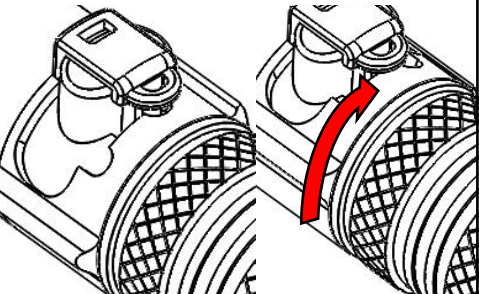
A) Verify Trigger is Up (Reset) and Safety Protector is Rotated



B) Push Safety Onto Trigger

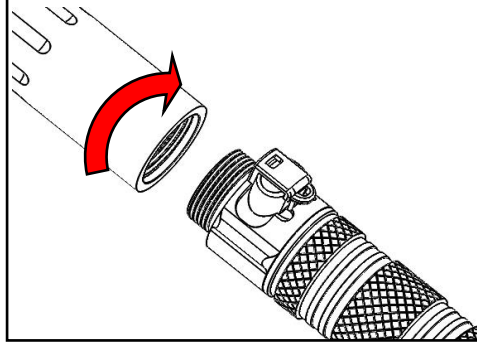


C) Rotate Safety Protector to Lock Safety

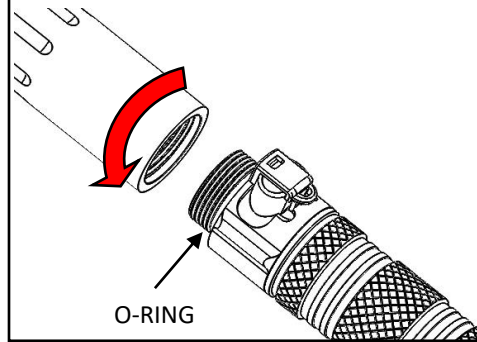


## Reload Step 2: Barrel

A) Unscrew Existing Barrel



B) Screw In New Barrel

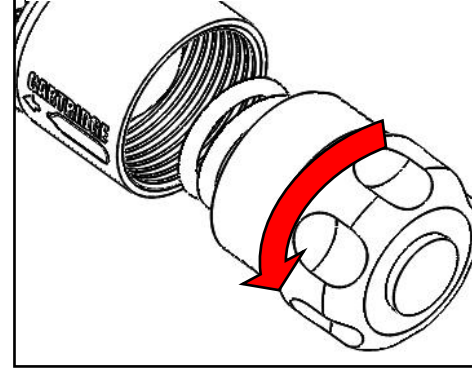


### Note:

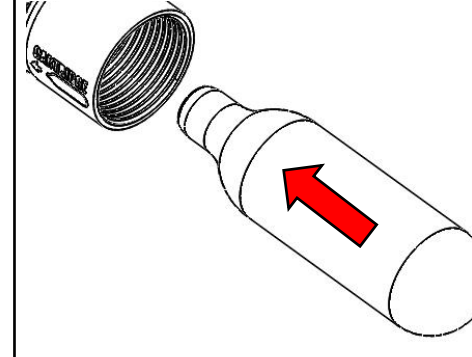
Ensure that sealing o-ring on front of the body is not pinched or damaged when replacing the barrel. If o-ring is pinched or damaged, your Stickshot may not function as intended.

## Reload Step 3: Gas Cartridge

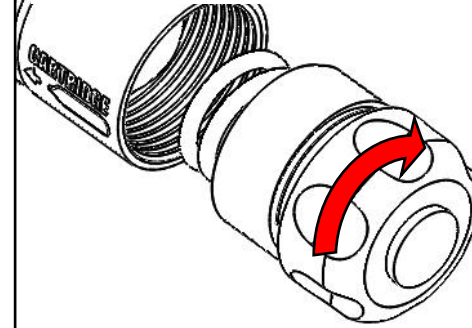
A) Unscrew Rear Cap



B) Load N2 Cartridge

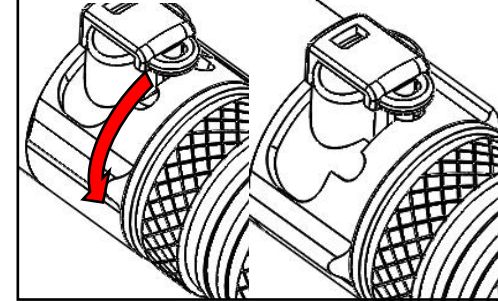


C) Screw In Rear Cap

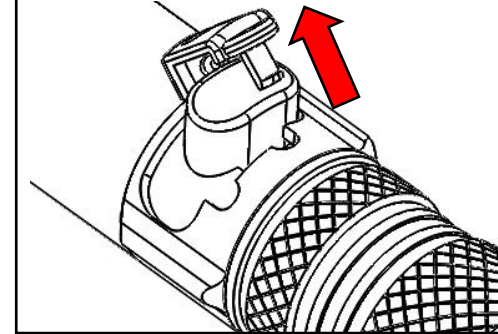


## Firing Instructions

1) Rotate Safety Protector



2) Flip Safety off Trigger



C) Press on Trigger to Fire

